

PROCOOL T80 FAN SERIES RACK MOUNT COOLING SYSTEMS

Intake Models: T280, T380, T480 and T2280

Exhaust Models: T280E, T380E, T480E and T2280E

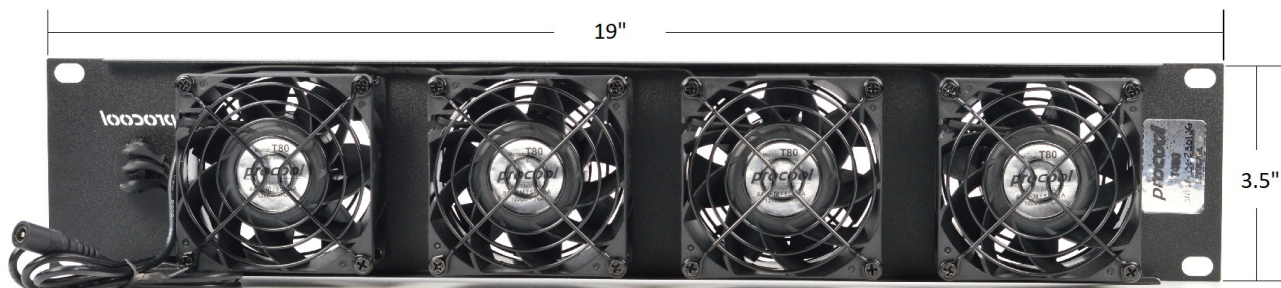


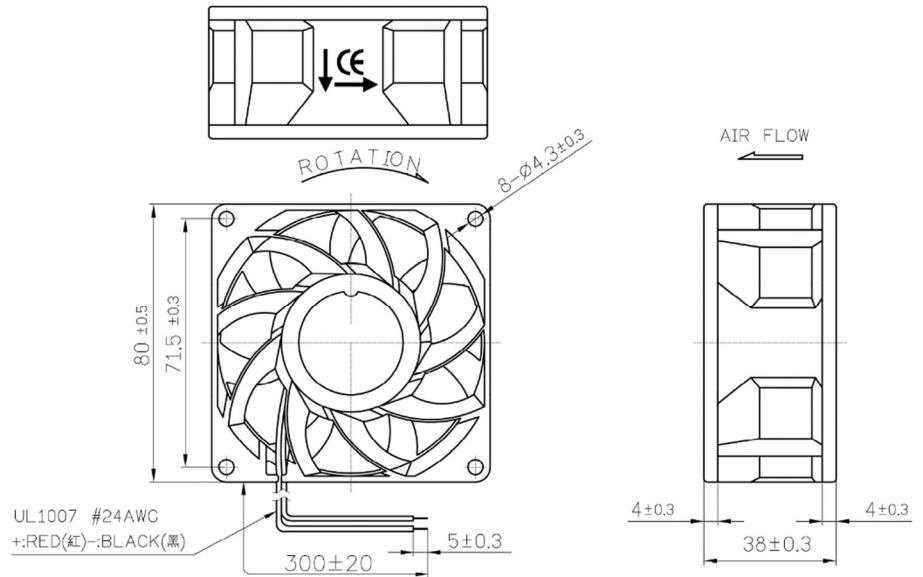
Model No.	T280, T280E,	T380, T380E	T480, T480E	T2280, T2280E
Panel Size:	2U (19"w x 3.5"h x 1.75"d)	2U (19"w x 3.5"h x 1.75"d)	2U (19"w x 3.5"h x 1.75"d)	2U (19"w x 3.5"h x 1.75"d)
Panel color/material:	Black/metal	Black/metal	Black/metal	Black/metal
Fan Size:	80mm x 80mm x 38mm	80mm x 80mm x 38mm	80mm x 80mm x 38mm	80mm x 80mm x 38mm
Number of Fans:	2	3	4	4
Fan Speed (per fan):	5700 RPM	5700 RPM	5700 RPM	5700 RPM
Air Flow Direction	INTAKE (*E = EXHAUST)	INTAKE (*E = EXHAUST)	INTAKE (*E = EXHAUST)	INTAKE (*E = EXHAUST)
Air Flow (combined):	168 CFM	252 CFM	336 CFM	336 CFM
Static Pressure (per fan):	0.740 in H ² O	0.740 in H ² O	0.740 in H ² O	0.740 in H ² O
Noise (combined):	58 dBA	59 dBA	61 dBA	61 dBA
Thermistor Probe length	n/a	n/a	n/a	n/a
Grills/Guards:	Black Wire	Black Wire	Black Wire	Black Wire
Bearings:	Precision Ball Bearings	Precision Ball Bearings	Precision Ball Bearings	Precision Ball Bearings
Power Supply:	100-240 VAC - 12 VDC	100-240 VAC - 12 VDC	100-240 VAC - 12 VDC	100-240 VAC - 12 VDC
Power Supply Plug:	NEMA 1-15 – 2.1mm	NEMA 1-15 – 2.1mm	NEMA 1-15 – 2.1mm	NEMA 1-15 – 2.1mm
Power Supply Cable:	36"	36"	36"	36"
Current draw:	1.52A	2.28A	3.04A	3.04A
Power consumption:	18.2w	27.3w	36.4w	36.4w
Weight	2 lbs.	2 lbs.	2 lbs.	2 lbs.
Operating Temperature	14 ~ 158°F (-10 ~ 70°C)	14 ~ 158°F (-10 ~ 70°C)	14 ~ 158°F (-10 ~ 70°C)	14 ~ 158°F (-10 ~ 70°C)
Storage Temperature:	-40 ~ 158°F (-40 ~ 70°C)	-40 ~ 158°F (-40 ~ 70°C)	-40 ~ 158°F (-40 ~ 70°C)	-40 ~ 158°F (-40 ~ 70°C)

- Specifications are subject to change without notice.

Model T80 Ultra High Airflow Fan

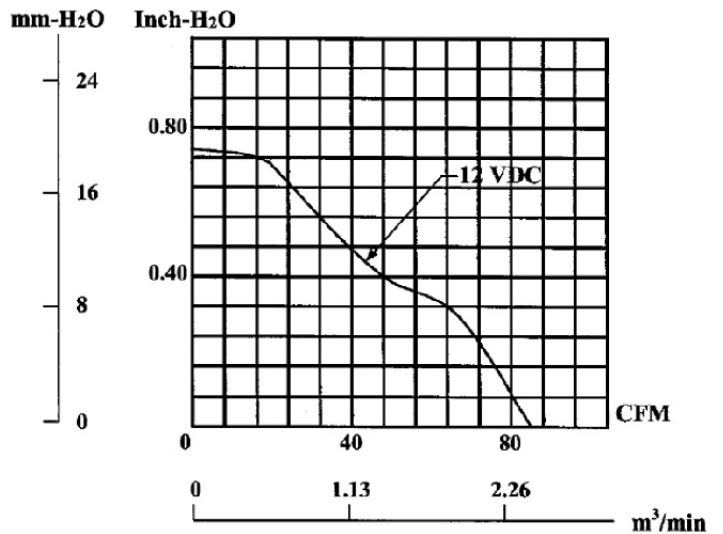
The T80 series of fans provide an ultra high airflow cooling solution. Recommended where extreme cooling is required. The T80 fans provide 81 CFM of airflow with 52 dBA of noise.





Model T80 Specifications	
Fan Size:	80mm x 80mm x 38mm
Speed:	5700 RPM
Air Flow:	84 CFM
Static Pressure:	0.740 in H ₂ O
Noise:	55 dBA
Thermistor Probe length	n/a
Grills/Guards:	Black Wire
Bearings:	Precision Ball Bearings
Voltage Range:	6 ~ 13.8VDC
Rated Voltage:	12VDC
Current draw:	0.76A
Power consumption:	9.1w
Weight:	0.386 lb (175.09g)
Operating Temperature:	14 ~ 158°F (-10 ~ 70°C)
Storage Temperature:	-40 ~ 158°F (-40 ~ 70°C)

Static Pressure



MTBF Hours
Has not been evaluated

Maintenance:

Cleaning the fan is the best preventative maintenance. Cleaning frequency would depend on the environment. It is recommended that the blade be cleaned to prevent any buildup of dust. Canned air works well.

Warranty:

2 Years from the date of purchase.