



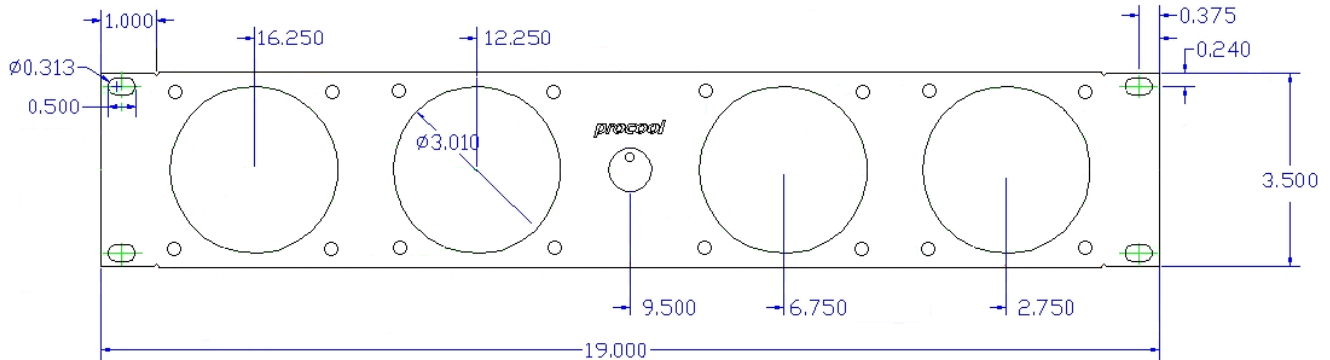
Manufacturer: PROCOOL LLC

Model No. TV2280 (intake), TV2280-E (exhaust)

Description: High power rack mount cooling system

Specifications:

Panel Size	(2U) 19" x 3.5" x 1.5"
Panel Color / Material	Black Powder Coat / Metal
Fans	4
Fan Model	Procool TV80
Fan Size	80mm x 80mm x 25mm
Bearings	Dual Ball bearings
Fan Speed	4200 RPM
Air Flow (per fan)	53 CFM
Air Flow (combined)	212 CFM
Static Pressure (per fan)	0.26 in H ₂ O
Noise (per fan)	39 dBA
Noise (combined)	45 dBA
Power consumption	27.8 W
Current draw	1.92 A
Power Supply	100-240 VAC - 12VDC/2A
Power Supply AC Connector	NEMA 1-15P
Power Supply DC Connector	2.1mm barrel plug
Grills/Guards	Black Wire
Weight	1 lb. 8 oz.



Specifications are subject to change without notice.