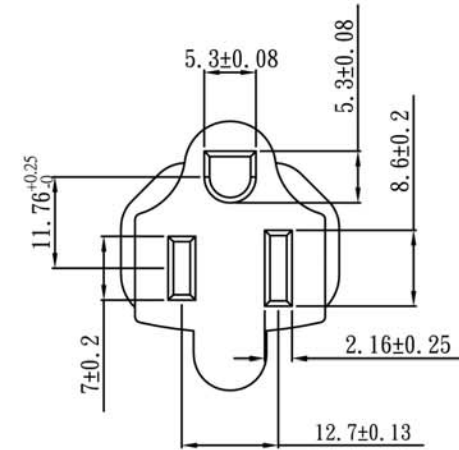
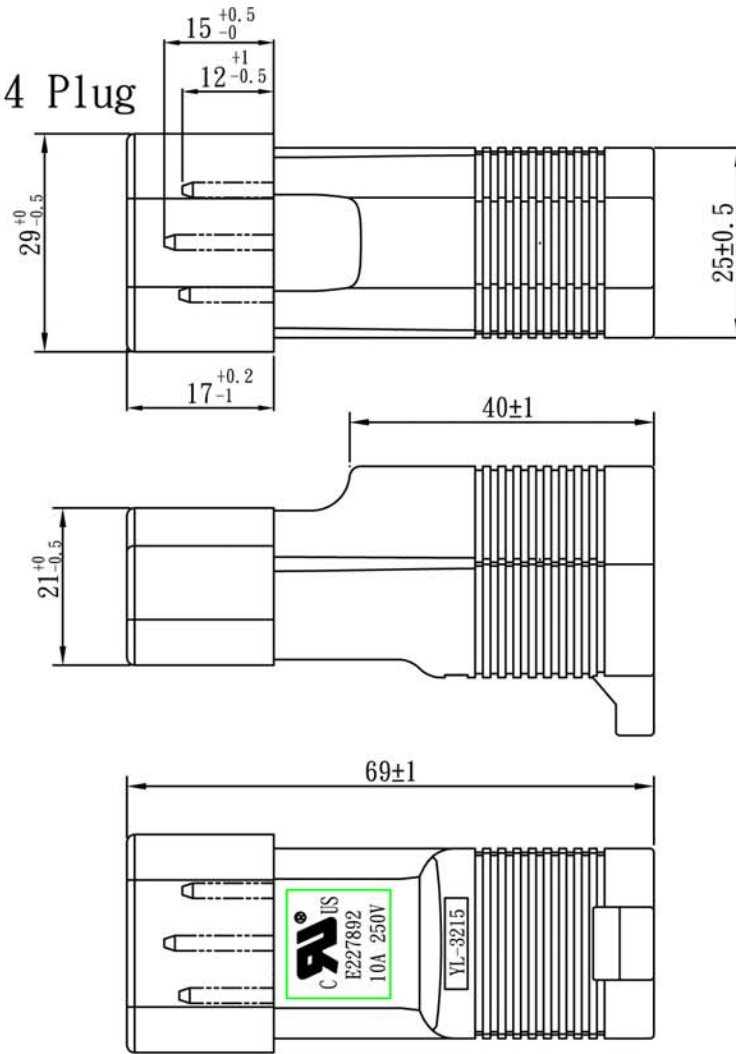
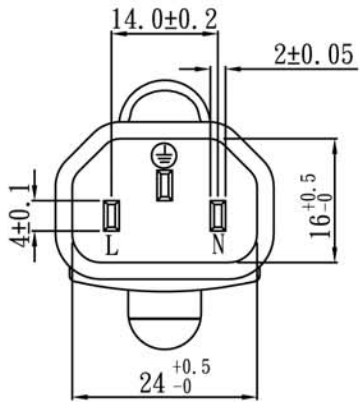




NEMA 5-15R to IEC 60320 C14 Plug



Note:

- 1.Rating: 10A 250V
- 2.Insulation Resistance:100MΩ
- 3.Dielectric Voltage:2000V/sec

Tolerance >0±0.30 >1.0±0.50 >10.0±1.0 >20.0±2.0 Angle: ±1°	Approved		Date		<b>SFCable.com</b> 888-275-8755			
	Checked		Date					
	Drawn		Date		Customer			
	Cat. No.	YL-3215			P/N.			
	Drawing No.	CY-A3215U	Rev.	B	Material	P. V. C	Unit	mm
				Scale				