

Fonsan Fans

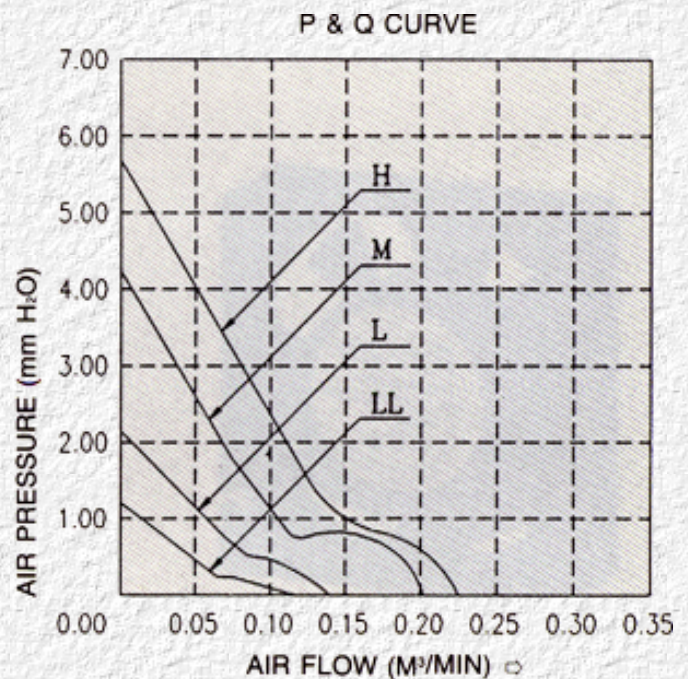
NOTE: The following is provided as information for some of the fans we sell. We only have the fans that are listed on the [Fans by Manufacturer Number](#) page and we cannot get any others.

40MM Series (Thicknesss 20MM)

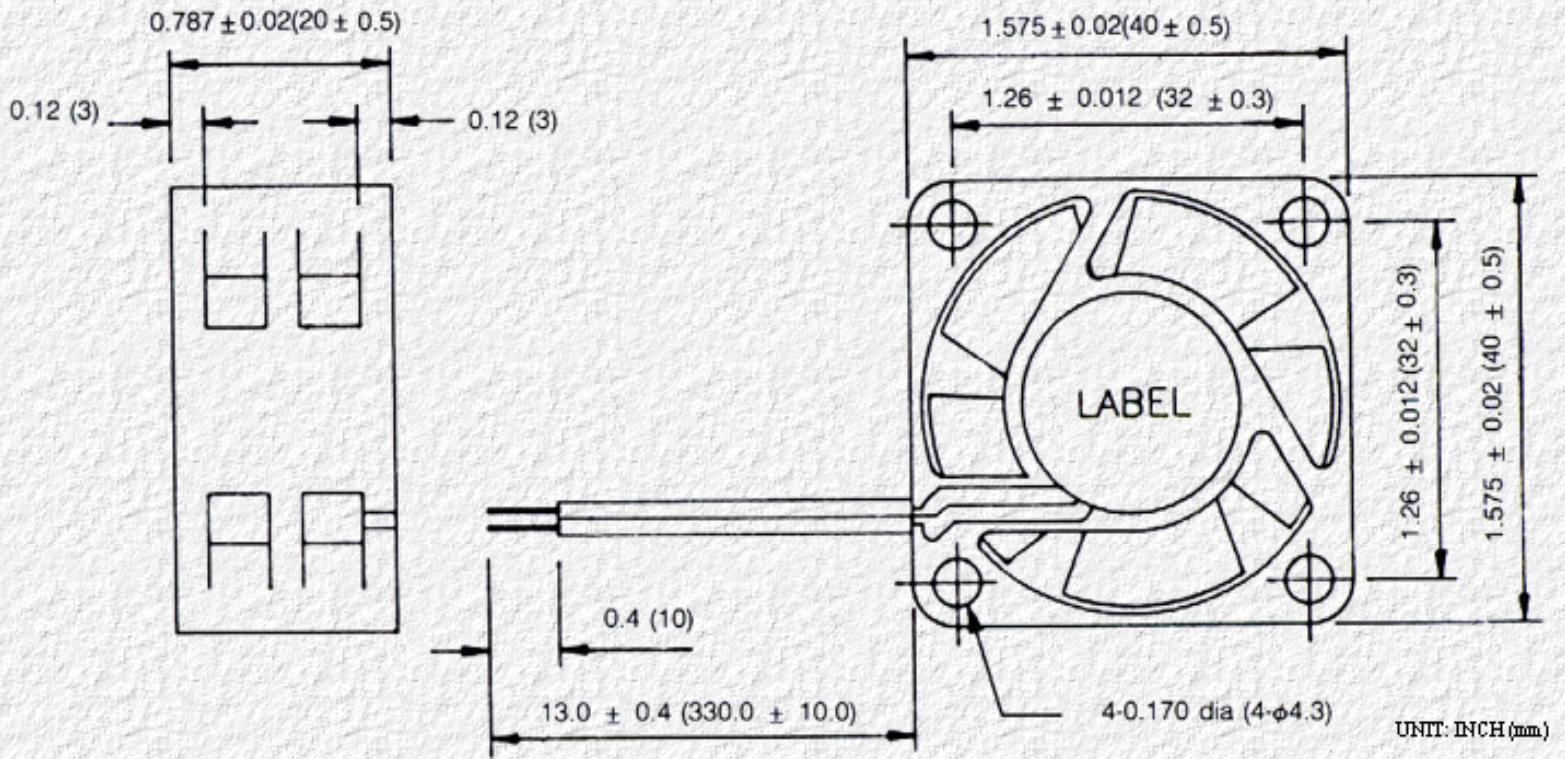
DELTA PART NO.	*DFB0412LL	DFB0412L	DFB0412M	DFB0412H	DFB0424LL	DFB0424L	DFB0424M	DFB0424H
Rate Voltage (V)	12VDC				24VDC			
Operating voltage Range (V)	7.0 ~ 13.8 VDC				18.0 ~ 27.6 VDC	14.0 ~ 27.6 VDC		
Rate Current (A)	0.02	0.03	0.06	0.08	0.02	0.02	0.03	0.04
Rate Input Power (W)	0.24	0.36	0.72	0.96	0.48	0.48	0.72	0.96
Max. Air flow M3/min.(CFM)	0.10 (3.5)	0.15 (5.3)	0.20 (7.1)	0.23 (8.1)	0.10 (3.5)	0.15 (5.3)	0.20 (7.1)	0.23 (8.1)
Max. Air Pressure mmH2O (inH2O)	1.15 (0.045)	2.10 (0.083)	4.10 (0.161)	5.72 (0.225)	1.15 (0.045)	2.10 (0.083)	4.10 (0.161)	5.72 (0.225)
Rotational Speed (r.p.m.)	3300	4400	6000	7400	3300	4400	6000	7400
Acoustical Noise dB (A)	21.5	22	26	29	21.5	22	26	29
Weight	40g (1.41 oz)							

Air Flow Curves

Air Flow Curves



Dimensions (40 x 40 x 20mm)



Specifications are subject to change without notice