

Fonsan 80mm Fans

NOTE: The following is provided as information for some of the fans we sell. We only have the fans that are listed on the web pages and we cannot get any others.

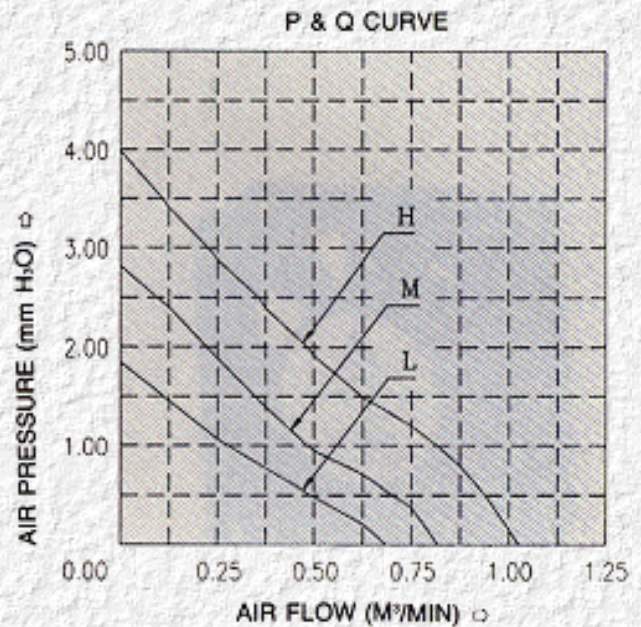
80MM Series (Thicknesss 25.4MM)

DELTA PART NO	DFB0812L	DFB0812M	DFB0812H	DFB0824L	DFB0824M	DFB0824H
Rate Voltage (V)	12VDC			24VDC		
Operating voltage Range (V)	7.0 ~ 13.8 VDC			14.0 ~ 27.6 VDC		
Rate Current (A)	0.08	0.09	0.17	0.05	0.06	0.1
Rate Input Power (W)	0.96	1.08	2.04	1.20	1.44	2.4
Max. Air flow M3/min.(CFM)	0.67 (23.7)	.82 (29.0)	1.02 (36.0)	0.67 (23.7)	0.82 (29.0)	1.02 (36.0)
Max. Air Pressure mmH2O (inH2O)	1.83 (0.072)	2.83 (0.111)	4.00 (0.157)	1.83 (0.072)	2.83 (0.111)	4.00 (0.157)
Rotational Speed (r.p.m.)	2100	2600	3200	2100	2600	3200
Acoustical Noise dB (A)	21.8	24.8	29	21.8	24.8	29
Weight	80g (2.82 oz)					

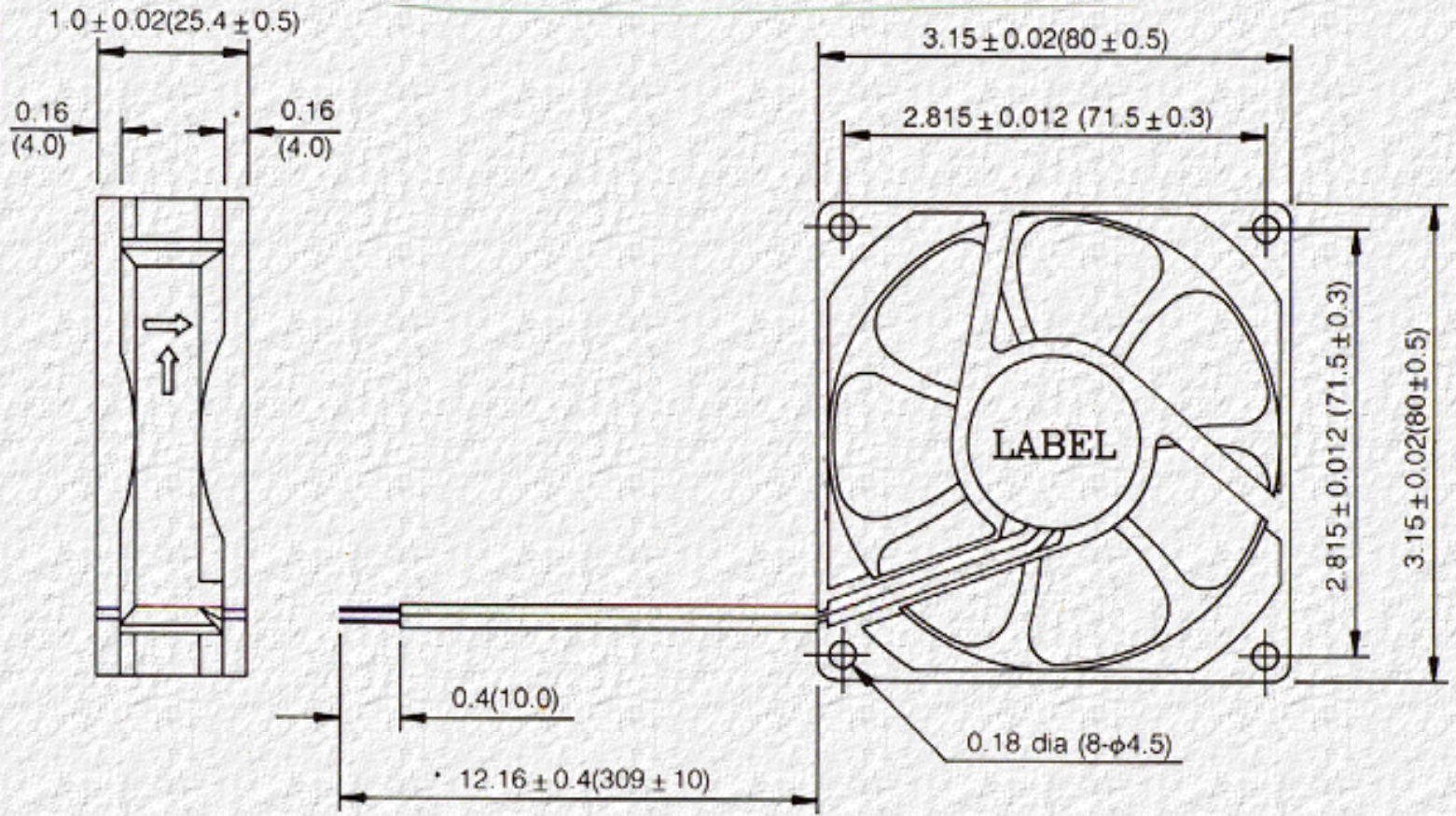
All readings are typical values



Air Flow Curves



Dimensions (80 x 80 x 25.4mm)



Specifications are subject to change without notice