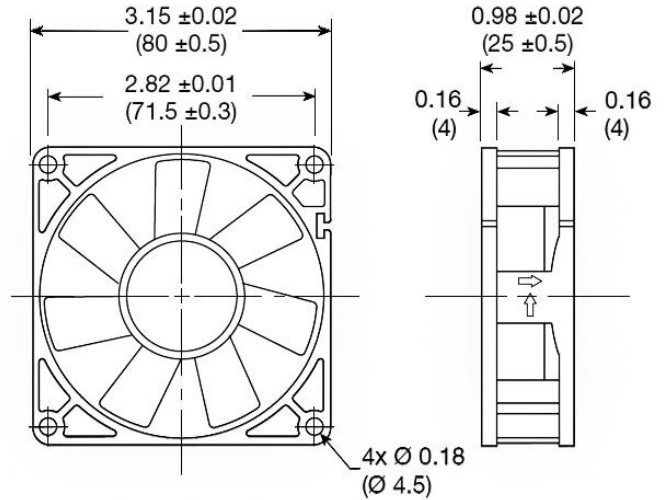
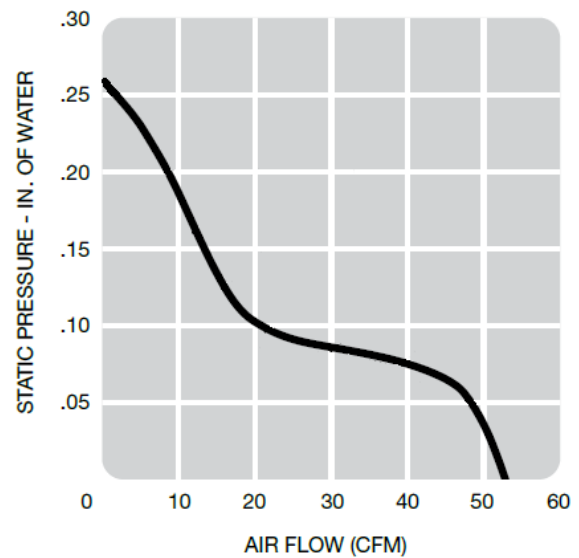


© procool llc



Specifications	
Fan Size:	80 x 80 x 25mm
Fan Speed:	4200 RPM
Air Flow:	53 CFM
Static Pressure:	0.750 in H ₂ O
Noise:	39 dBA
Bearings:	Dual Ball Bearing
Fan Thermistor wire length:	n/a
Power wire length:	12"
Power Connector:	3 pin molex
Rated Voltage:	12 VDC
Operating Voltage Range:	12 VDC
Current draw:	0.48A
Power consumption:	5.76
Operating Temperature:	14 / 158 °F (-10 /+70 °C)
Storage Temperature:	-40 / 158 °F (-40 /+80 °C)
MTBF Hours	Not Evaluated



Maintenance:

Cleaning the fan is the best preventative maintenance. Cleaning frequency would depend on the environment. It is recommended that the blade be cleaned to prevent any buildup of dust. Canned air works well.

Warranty:

3 Years from the date of purchase.